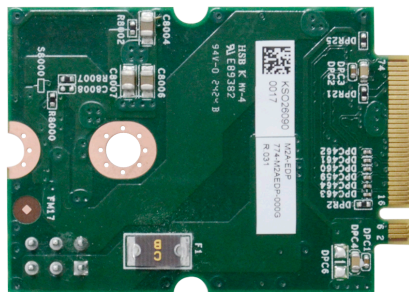
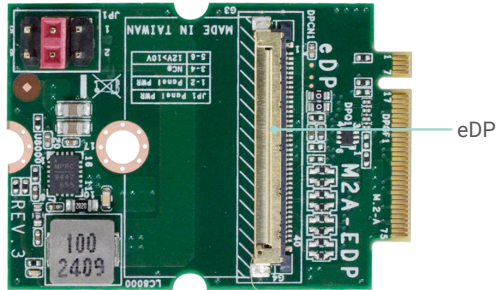


M2A-eDP/LVDS

Module Boards

M2A-eDP



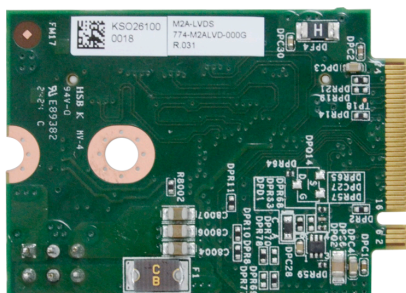
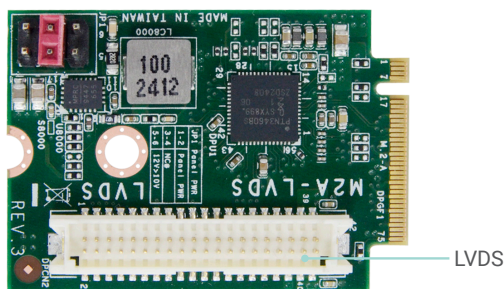
KEY FEATURES

CHIP	PTN3460
PORT	M.2 A Key
INTERFACE	eDP/LVDS
DIMENSIONS	30 x 42 mm (Stand off at 30 x 30 mm)

SPECIFICATION

CHIP	PTN3460
FEATURES	LVDS: Resolution up to 1920x1200 @ 60Hz eDP: Resolution up to 4096x2160 @ 60Hz
I/O PORTS	1 eDP/LVDS port
APPLIED MODEL	<ul style="list-style-type: none"> RPP171/RPP173 RPS100 ADN171/ADN173
TEMPERATURE	Operating: -40°C to 85°C Storage: -40°C to 85°C
HUMIDITY	5% to 90%
DIMENSIONS	30 x 42 mm (Stand off at 30 x 30 mm)

M2A-LVDS

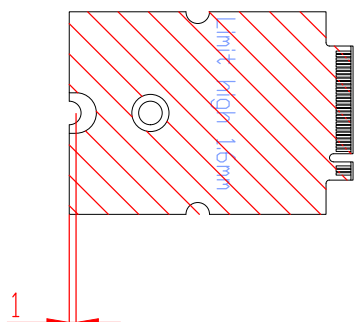
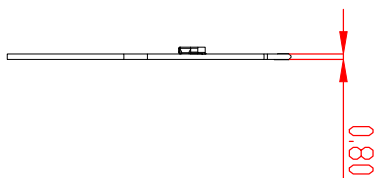
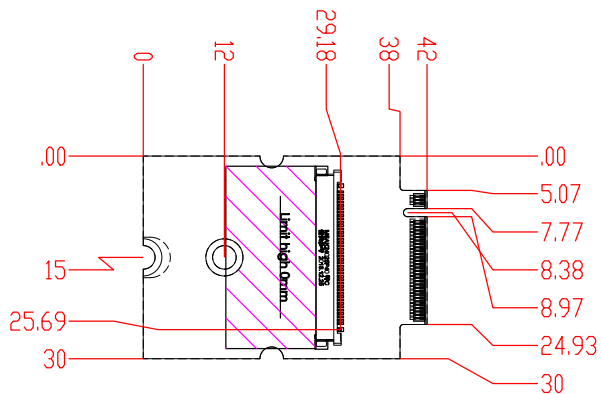


ORDERING INFORMATION

Model Name	Part Number	Description
M2A-LVDS	774-M2ALVD-000G	DFI M.2 A key DP-to-LVDS Display Module
M2A-EDP	774-M2AEDP-000G	DFI M.2 A key DP-to-EDP Display Module

MECHANICAL DRAWING

M2A-eDP



M2A-LVDS

